

# TRACTOR LOADER BACKHOE



## Specifications

Max Gross Vehicle Weight	15895 lbs (7210 kg)
Net Engine Power	88 hp (65.7 kw)
Dig Depth (Standard)	14' 8" (4490 mm)
Dig Depth (Extended)	18' (5510 mm)

## Features

- ▶ New slew system provides high torque for easier backfilling and slewing uphill
- ▶ High dipper and bucket digging forces for high productivity trenching
- ▶ Superb visibility for improved driver comfort and productivity
- ▶ Mechanical suspension seat with lumbar support with flip up arm rests for maximum comfort
- ▶ Loading height of 11' 6" (3.5 m) for easy loading of high sided trucks
- ▶ Hydro mechanical self leveling avoids spillage and allows load retention at full height

**WORKS FOR YOU.™**

# SPECIFICATIONS

## ENGINE

Perkins 1104D-44TA (Tier 3) with Wastegate turbocharger and charge air cooling. Torque rise 31%. Mechanical fuel injection. Stainless steel muffler and exhaust stack. 500 hour service period.	
Cylinders	4
Capacity	269 in <sup>3</sup> (4.4 L)
Rated Speed	2200 rpm
Gross Power @ 2200 rpm SAE J 1995	93.8 hp (70 kW)
Derived Net Rating @ 2200 rpm SAE J 1349	88.1 hp* (65.7 kW*)
Max Torque @ 1400 rpm UN/ECE R120 80/1269/EEC	291 bfft* (395 Nm*) 274 bfft* (372 Nm*)

\* Nominal Non-certified Valves

## ELECTRONICS

Wiring And Connectors Meet IP69 Standard	140 A/hr dual batteries with 1260 CCA - EN Standard
12-volt Negative Ground	100 A/hr single battery with 830 CCA - EN Standard
Jump Start Posts	100 amp alternator
Blade Type Fuses	Maintenance free battery
Battery Isolator	

## CAPACITIES

Fuel Tank	31.1 gal (140 L)
Engine Coolant	3.5 gal (16.0 L)
Engine Oil (including filter)	1.9 gal (8.5 L)
Synchro Shuttle Transmission	3.3 gal (15.0 L)
Power Servo Synchro Transmission	3.3 gal (15.0 L)
Rear Axle (including final drives)	3.4 gal (15.5 L)
Front Axle (including final drives)	2.1 gal (9.5 L)
Hydraulic Tank	20.4 gal (92.0 L)

## AXLES AND BRAKES

Outboard planetary final drives for easier servicing. Foot operated differential lock with 100% lockup. 16° front axle oscillation to maintain maximum ground contact and traction. High capacity outboard mounted wet disc brakes. Self equalizing and self adjusting. Selectable 2 or 4 wheel braking.

Axle Ratings	Max Static Loading	Max Dynamic Loading
Front	50602 lb (225 kN)	20259 lb (90 kN)
Rear	42169 lb (187.5 kN)	16867 lb (75 kN)

## TOTAL MACHINE WEIGHT

Total Machine Weight	15895 lbs (7210 kg)
1.32 yd <sup>3</sup> (1 m <sup>3</sup> ) Multi-Purpose Bucket	728 lbs (330 kg)
1.32 yd <sup>3</sup> (1 m <sup>3</sup> ) Multi-Purpose Fork Kit	330 lbs (150 kg)
Deep Dig Dipper	584 lbs (265 kg)
ROPS	-330 lbs (-150 kg)

## TRANSMISSION

4 speed synchro shuttle gearbox. Modulated forward and reverse clutch packs enable smooth direction changes. De-clutch button on shift lever. Direction control with neutral safety interlock. Single stage torque converter with 3.01:1 stall ratio.

Tires				
	Front	12.5 x 18	12.5/80 x 18	12.5/80 x 18
	Rear	18.4 x 26	16.9 x 28	16.9 x 30
Travel Speeds Forward/Reverse				
1st	3.6 mph (5.7 Km/h)	3.5 mph (5.7 Km/h)	3.7 (5.9 Km/h)	
2nd	5.7 mph (9.2 Km/h)	5.7 mph (9.1 Km/h)	5.9 (9.6 Km/h)	
3rd	12.6 mph (20.3 Km/h)	12.4 mph (20.0 Km/h)	13.0 (21.0 Km/h)	
4th	25.1 mph (40.5 Km/h)	24.8 mph (40.0 Km/h)	25.6 (41.0 Km/h)	

4 speed Servo Power Synchro. Automatic and manual shifting in all 4 gears. Push button kickdown and kick up in 1st and 2nd gear. Auto drop down from 4th to 3rd and back. Single stage torque converter with 3.01:1 stall ratio.

Tires				
	Front	12.5 x 18	12.5/80 x 18	12.5/80 x 18
	Rear	18.4 x 26	16.9 x 28	16.9 x 30
Travel Speeds Forward/Reverse				
1 <sup>st</sup>	3.6 mph (5.7 Km/h)	3.5 mph (5.7 Km/h)	3.7 (5.9 Km/h)	
2 <sup>nd</sup>	5.7 mph (9.2 Km/h)	5.7 mph (9.1 Km/h)	5.9 (9.6 Km/h)	
3 <sup>rd</sup>	12.6 mph (20.3 Km/h)	12.4 mph (20.0 Km/h)	13.0 (21.0 Km/h)	
4 <sup>th</sup>	25.1 mph (40.5 Km/h)	24.8 mph (40.0 Km/h)	25.6 (41.0 Km/h)	

Travel Speeds Reverse			
1 <sup>st</sup>	3.6 mph (5.7 Km/h)	3.5 mph (5.7 Km/h)	3.7 (5.9 Km/h)
2 <sup>nd</sup>	5.7 mph (9.2 Km/h)	5.7 mph (9.1 Km/h)	5.9 (9.6 Km/h)
3 <sup>rd</sup>	12.6 mph (20.3 Km/h)	12.4 mph (20.0 Km/h)	13.0 (21.0 Km/h)

## TURNING CIRCLES

	Over Tires	Over Bucket
Without Brakes	25.9 ft (7.9 m)	34.8 ft (10.6 m)
With Brakes	23.0 ft (7.0 m)	31.8 ft (9.7 m)

## TIRES

Front	Tractor Industrial 12.5/80 x 18 12 Ply Tubeless
Rear	Tractor Industrial 16.9 x 28 12 Ply Tubeless
Front	Super Traction Loader 12.5 x 18 10 Ply Tubeless
Rear	Tractor Industrial 16.9 x 30 14 Ply Tubeless
Front	Multipurpose 12.5 x 18 10 Ply Agricultural Tubeless
Rear	Agricultural 18.4 x 26 12 Ply Tubeless
Front	Industrial 16/70 x 20 14 Ply Tubeless
Rear	Industrial 16.9 x 30 14 Ply Tubeless

## HYDRAULIC SYSTEM

Tandem Gear Pumps with unloader valve. Open centre control valves. Automatic or manually activated pump flows. Power Boost to match digging power and speed to application. External oil level gauge. Tilting oil cooler. 125 micron suction strainer. 10 micron return line filter.

Main Pump Flow @ 2200 rpm	21 gpm (80 L/min)
Secondary Pump Flow @ 2200 rpm	16.5 gpm (62 L/min)
System Main Relief Setting	3625 psi (250 bar)
Unloader Settings	3000 psi (207 bar)

# STANDARD EQUIPMENT

TLB840

## CAB AND CANOPY

ROPS/FOPS Conform to ISO 3471/3449	Self Cleaning Footsteps & Large Grab Handles
Access from Both Sides	Anti Slip Floor Mat (Canopy)
Internal Rear View Mirror	Folding External Rear View Mirrors
2 Cup Holders	Coat Hook
Tilt and Telescopic Steering Wheel	Front and Rear Horn
Seat Storage For Operators Manual	2 in (51 mm) Retractable Seat Belt
Vinyl Seat with Mechanical Suspension ROPS	Standard Fabric Seat with Mechanical Suspension
2 External 12-volt Outlets	Cab with 2 Door Access
Partial Door Locking	Full Depth Up and Over Rear Window
Opening Rear Quarter Windows with Internal Operation	Front and Rear Screen Washers and Wipers
Laminated Windscreen	Tinted Toughened Safety Glass
Heater 22432 btu/hr (657 kW)	Insulated and Chilled Storage Box
Digital Clock	Cell Phone Holder with Power Plug
Pre-Installation of Wiring For Radio	Cab Noise Level 78 dB(a)
12 Audible and Visual Warning Lamps	Digital Clock
Engine Hour Meter	Elapsed Time Counter
3 Gauges For Engine Oil Temp, Fuel and Rpm	4 Rear Work Lights

## LOADER

Hydro-Mechanical Self Levelling	Single Bucket Cylinder
Control Lever with Transmission and Pump Unload Buttons	Standard Bucket 132 yd <sup>3</sup> (1 m <sup>3</sup> ) with Lifting Eye
Reversible Cutting Edge	Bucket Control Lever with Dual Function
Bucket Cylinder Cushioning	Float Position with Positive Hold
Return to Dig	Integral Loader Arm Safety Bar
Bucket Level Indicator	3 <sup>rd</sup> Hydraulic Line with Standard Bucket

## BACKHOE

Curved Style Boom	Replaceable Serrated Clamping Plates
Standard Dipperstick	Electro/Hydraulic Dual Transport Lock
Option: Outer Slide Deep Dig Dipperstick	Externally Adjustable Lubrication Free Wear Pads (11)
Thumb Cylinder Mounting Bracket Incorporated	Externally Adjustable Stabilizer Wear Pads
SAE/ISO/Diagonal 2 Lever Controls	

## DRIVETRAIN

Synchro Shuttle Transmission 4F/4R Speeds	Servo Power Synchro Transmission 4F/3R Speeds
Direction Control with Neutral Safety Interlock	Transmission De-Clutch on Gear and Loader Controls
Column Mounted Rotational Control Lever	Automatic Up and Down Shifting
Auto Change Down 4/3 and Back	Kick Down 2/1 and Kick Up 1/2
Torque Converter Stall Ratio 3.01:1	Tilting Transmission Oil Cooler
Vertical Element Oil Filter	Outboard Planetary Final Drive Axles
Foot Operated Electro/Hyd Differential Lock	Brakes Self Adjusting and Self Equalizing.
Dual Brake Pedals with Combined or Independent Use	Selectable 2 and 4 Wheel Braking In All Gears
Large Capacity Outboard Oil Immersed Disc Brakes <ul style="list-style-type: none"> <li>• 2 Kevlar Friction Discs 11in (289 mm) Diameter Per Side</li> <li>• Total Friction Area Per Side 24.2 in (156 cm<sup>2</sup>)</li> </ul>	Internal Wet Disc Parking Brake <ul style="list-style-type: none"> <li>-Max Parking Slope (unladen) 1:2</li> <li>-Max Parking Slope (laden) 1:2.5</li> </ul>
4WD standard	Selectable 2WD and 4WD

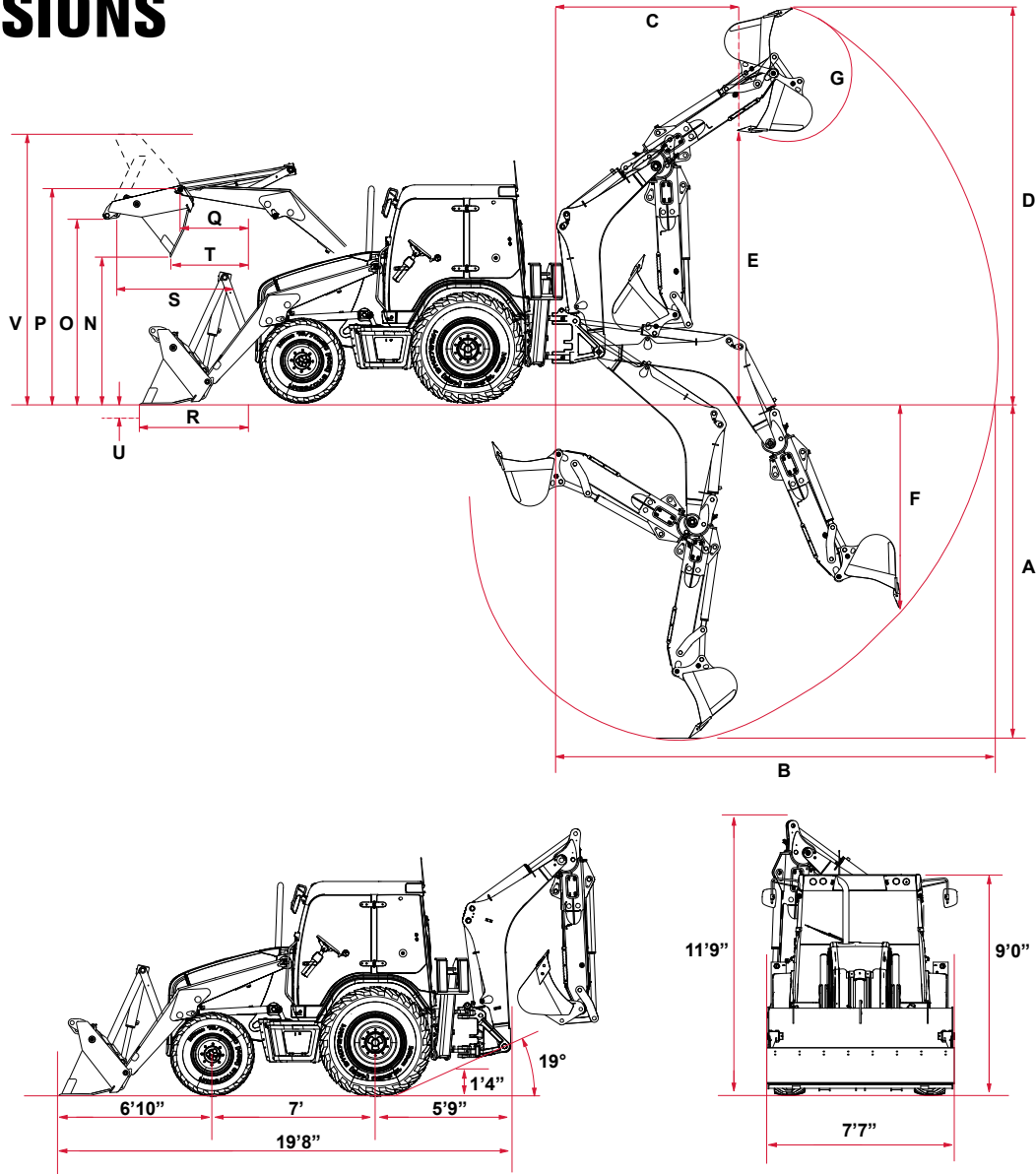
## ENGINE

Perkins 1104D-44TA (Tier 3)	Anti-freeze Rated to -37° C
Wastegate Turbo and Charge Air Cooled	Vertical Element Secondary Fuel Filter
Electric Fuel Pump	Coolant Expansion Bottle
Mechanical Fuel Injection	Alternator and Fan Drive By Dual V Belt
4 Glow Plug Starting Aid	Gear Driven Water Pump
Horizontal Spin on Oil Filter	Puller Type 9 Bladed Cooling Fan
Primary Fuel Filter with Water Separator	Dual Element Powercore Air Cleaner
Engine Gradeability Fore/Aft and Side/Side 35°	Stainless Steel Muffler and Exhaust Stack
500 Hour Service Period	Fan Guard
Oil to Water Internal Plate Oil Cooler	

## GENERAL

Heavy Duty Chassis Construction	Lockable Side Mounted Toolbox
Fully Tilting Engine Hood	Front Hard Nose Counterweight
Lifting Eyes and Tie Downs (2 Front and Rear)	2 Extra Front Counterweights 92 lbs (42 kg) Each
Reverse Warning Alarm	

# DIMENSIONS



## BACKHOE DIMENSIONS

	Standard Dipper		Deep Dig Dipper	
		Retracted	Extended	
A. Maximum Dig Depth SAE	14'9" (4490 mm)	14'9" (4490 mm)	18'1" (5510 mm)	
2 ft Flat Bottom SAE	14'7" (4444 mm)	14'7" (4444 mm)	17'11" (5462 mm)	
B. Reach - Ground Level to Slew	18'9" (5718 mm)	18'9" (5718 mm)	21'11" (6679 mm)	
C. Loading Reach	7'6" (2280 mm)	7'5" (2250 mm)	10'2" (3106 mm)	
D. Operating Height	16'9" (5093 mm)	16'9" (5093 mm)	18'7" (5674 mm)	
E. Loading Height SAE	11'7" (3518 mm)	11'7" (3538 mm)	13'6" (4119 mm)	
Max Dumping Height	11'0" (3340 mm)	11'0" (3340 mm)	12'11" (3927 mm)	
F. Dig Depth	9'2" (2802 mm)	9'2" (2802 mm)	11'12" (3645 mm)	
G. Bucket Rotation Degrees				
Speed	194°	196°	196°	
Power	164°	166°	166°	
Stabilizer Spread	9'9" (2980 mm)			
Max. Levelling Angle Degrees	12°			

## LOADER DIMENSIONS

	7-in-1 Bucket
N. Dump Clearance at 45°	9' 2" (2797 mm)
O. Load-over Height	10' 11" (3315 mm)
P. Hinge Pin Height	11' 10" (3562 mm)
Q. Pin Forward Reach	1' 0" (317 mm)
R. Reach at Ground	4' 11" (1488 mm)
S. Maximum Reach at Full Height	3' 11" (1188 mm)
T. Reach at Full Height at 45°	2' 5" (733 mm)
U. Dig Depth	6" (156 mm)
Rollback at Ground	50°
Maximum Dump Angle Fully Raised	47°
V. Overall Operating Height	14'11" (4544 mm)

## BACKHOE PERFORMANCE

	Standard Dipper		Deep Dig Dipper	
			Retracted	Extended
Maximum Slew Torque	18610 lbf (25.32 kN)		18610 lbf (25.32 kN)	18610 lbf (25.32 kN)
Dipper Breakout Force (SAE J49 Standard)	7958 lbf (35.4 kN)		7958 lbf (35.4 kN)	5890 lbf (26.2 kN)
Bucket Breakout Force Speed Setting (SAE J49 Standard)	11892 lbf (52.9 kN)		11802 lbf (52.5 kN)	11802 lbf (52.5 kN)
Bucket Breakout Force Power Setting (SAE J49 Standard)	13651 lbf (60.7 kN)		13516 lbf (60.1 kN)	13516 lbf (60.1 kN)

## LOADER PERFORMANCE

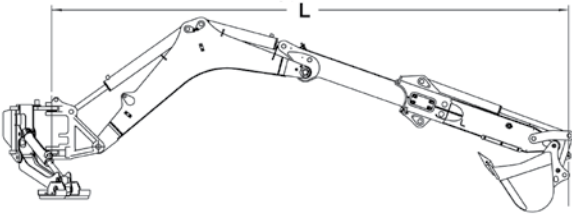
	Standard Bucket	7-in-1 Bucket
Bucket Breakout	10485 lbf (46.5 kN)	10097 lbf (44.8 kN)
Arms Breakout	10329 lbf (46.0 kN)	9597 lbf (42.3 kN)
Lift Capacity To Full Height	7291 lbs (3307 kg)	6563 lbs (2977 kg)

## PALLET FORKS

Fork Length	3'6" (1067 mm)
Section Width	3" (80 mm)
Assembly Weight	336 lbs (153 kg)
Maximum Operating Height	10'2" (3097 mm)
Reach at Ground Level	8'10" (2660 mm)
Reach at Full Height	7'5" (2251 mm)
S.W.L. at 20 in (500 mm) Load Center	2204 lbs (1000 kg)

## CENTER MOUNT BACKHOE

Load Chart for Extending Dipperstick using boom cylinder for object handling (with optional object handling kit)



Must have 1.32 yd<sup>3</sup> multipurpose bucket installed to achieve maximum lift capacity

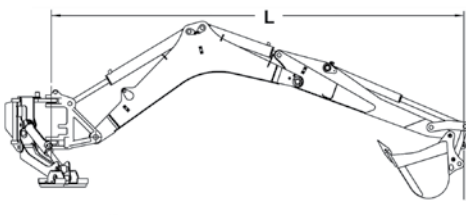


9'3"	12'2"	14'1"	18'0"	17'0"	18'6"
2.8 m	3.7 m	4.3 m	4.8 m	5.2 m	5.8 m
2555 lb (1159 kg)	2136 lb (969 kg)	2087 lb (947 kg)	2076 lb (942 kg)	2037 lb (924 kg)	1968 lb (893 kg)



9.2 ft	12.1 ft	14.1 ft	15.7 ft	17.1 ft	19.0 ft
(2.8 m)	(3.7 m)	(4.3 m)	(4.8 m)	(5.2 m)	(5.8 m)
2555 lb (1159 kg)	2136 lb (969 kg)	1675 lb (760 kg)	1298 lb (589 kg)	1100 lb (499 kg)	917 lb (416 kg)

Load Chart for Standard Dipperstick using boom cylinder for object handling (with optional object handling kit)



Must have 1.32 yd<sup>3</sup> multipurpose bucket installed to achieve maximum lift capacity



9'3"	12'0"	13'6"	14'6"	16'0"
2.8 m	3.6 m	4.1 m	4.4 m	4.8 m
3018 lb (1369 kg)	2943 lb (1335 kg)	2965 lb (1345 kg)	3024 lb (1372 kg)	3201 lb (1452 kg)



9.2 ft	11.8 ft	13.5 ft	14.4 ft	15.7 ft
(2.8 m)	(3.6 m)	(4.1 m)	(4.4 m)	(4.8 m)
3018 lb (1369 kg)	2943 lb (1335 kg)	2253 lb (1022 kg)	1931 lb (876 kg)	1706 lb (774 kg)

# OPTIONAL EQUIPMENT

## LOADER

Pallet Forks with Safe Working Load of 2205 lbs (1000 kgs)

Hose Burst Valves

Mechanical Quick Attach

Ride Control

## BACKHOE

Hydraulic and Mechanical Quick Attach

Two Auxiliary Circuits with Single and Double Acting Operation

Excavator Buckets with Wide Variety of Sizes & Configurations

Object Handling Kit\*

*\*Kit required when loads are slung requiring the assistance of ground personnel. Refer to the operator's manual for details.*

## ROPS CANOPY OPTIONS

3 in (76.2 mm) Seat Belt

Lockable Vandal Covers

Windscreen with Wiper

## CAB OPTIONS

Air Conditioning 22432 btu/hr (6.57 kW cooling)

Premium High Back Seat, Heated with Air Suspension

3 in (76.2 mm) Seat Belt

## GENERAL

Front Fenders

[www.terex.com](http://www.terex.com)

Effective Date: January 2011. Product specifications and prices are subject to change without notice or obligation. The photographs and/or drawings in this document are for illustrative purposes only. Refer to the appropriate Operator's Manual for instructions on the proper use of this equipment. Failure to follow the appropriate Operator's Manual when using our equipment or to otherwise act irresponsibly may result in serious injury or death. The only warranty applicable to our equipment is the standard written warranty applicable to the particular product and sale and Terex makes no other warranty, express or implied. Products and services listed may be trademarks, service marks, or trade names of Terex Corporation and/or its subsidiaries in the USA and other countries. All rights are reserved. Terex is a registered trademark of Terex Corporation in the USA and many other countries. © 2010 Terex Corporation.

Terex Construction 8800 Rostin Road, Southaven, MS 38671 USA  
Tel +1 (888) 90-TEREX [www.terex.com](http://www.terex.com)



**WORKS FOR YOU.™**

TLB840 0111 PN 109017