

Compact Crawler Excavator

OPERATING WEIGHT	3,638 – 3,792 lbs (1,650 – 1,720 kg)
NET ENGINE POWER	18 hp (13.3 kW)
MAX DIG DEPTH	7' 9" (2.4 m)
MAX REACH	13' 5" (4.1 m)


**COMPACT CRAWLER EXCAVATOR
TC16**
Operating Data, Standard Equipment

Operating weight (rubber crawlers)	3,638 lbs (1,650 kg)
Operating weight (steel crawlers)	3,792 lbs (1,720 kg)
Overall length (travel position)	8' 2" (2.5 m)
Overall length (trailer transport position)	12' 5" (3.8 m)
Total height (travel position)	7' 8" (2.4 m)
Total width (crawlers retracted)	3' 3" (1.0 m)
Uppercarriage tailswing	3' 7" (1.1 m)
Uppercarriage frontswing	4' 1" (1.2 m)
Working envelope 180° / 360°	7' 8" / 8' 2" (2.4 / 2.5 m)
Ground clearance	7" (170 mm)
Bucket force (SAE J 1179)*	3,240 lbs (14,400 N)
Stick force (SAE J 1179)*	2,090 lbs (9,300 N)
Ground pressure (rubber crawlers)	3.3 psi (0.23 daN/cm ²)
Ground pressure (steel crawlers)	3.4 psi (0.24 daN/cm ²)

*Standard equipment, may vary with different bucket and/or dipperstick.



Specifications

Engine	
Manufacturer, model	Mitsubishi, L3E-W 262 KL
Type	3-cylinder diesel engine
Combustion	4-stroke cycle, swirl chamber injection
Displacement	58 in ³ (952 cm ³)
Net power rating at 2,400 rpm (SAE J 1349)	18 hp (13.3 kW)
Torque @ 2,000 rpm	439.6 lbf (54 Nm)
Cooling system	Water

Electrical System	
Nominal voltage	12 V
Battery	12 V / 74 Ah

Power Transmission	
Hydrostatic drive with axial piston motor and reduction gear, fully enclosed. Brake valve for downhill drive.	
Travel speed, forward/reverse	0 – 1.7 mph (0 – 2.7 km/h)
Optional 2nd speed range	0 – 2.8 mph (0 – 4.5 km/h)
Gradeability	60%
Drawbar pull	2,610 lbs (1160 daN)
Travel motion alarm (acoustic signal) as standard.	

Undercarriage	
Maintenance-friendly crawler-type undercarriage. Guiding wheel suspension with hydraulic crawler tensioning. Hydraulically retractable / extendable undercarriage provided as standard. Crawler adjustment by means of ball valve, dozer blade can be actuated from operator's seat.	
Range of adjustment (outer edge of crawlers)	39"-53" (990-1,340 mm)
Rubber crawlers / steel crawlers	9" / 9" (230 / 230 mm)
Total length (sprocket-idler)	3' 9" (1.1 m)
Total length (undercarriage)	4' 11" (1.5 m)

Dozer Blade	
Independent of drive train, sensitive control via hand lever.	
Width x height	53" x 9" (1,340 x 235 mm)
Cut below ground / lift above ground	6" / 8" (160 / 200 mm)
Slope angle	25°

Steering	
Independent control of tracks via hand controls or foot pedals.	

Swing System	
Hydrostatic drive, also acting as low-maintenance brake. Additional brake to be operated by multi-function lever (push-button), also acts when engine is shut off. Internally toothed ring gear.	
Swing speed	0 – 10 rpm

Hydraulic System

Dual fixed displacement pump with cover switch. Load-independent flow division (LUDV) for all work functions and travel drive. Simultaneous independent control of 3 movements.	
Working pressure	2,390 psi (165 bar)
Pump capacity	9 gpm + 5 gpm (33.5 Lpm + 19.2 Lpm)
Tank-immersed return filter with electric contamination indicator. Block hydraulic oil radiator provided as standard. Boom, dipperstick and articulated cylinders with end-position damping on both sides, bucket retract function with one-side end-position damping.	
Standard control circuit for work attachments.	
Maximum working pressure	2,390 psi (185 bar)
Hydraulic power	8.5 gpm (32 Lpm) @ 1,450 psi (100 bar) 7 gpm (26 Lpm) @ 2,390 psi (185 bar)
Open return as standard. All functions can be activated proportionally. Two servo-assisted four-way control levers for excavator operations. Safety cut-off of all functions as soon as driver leaves cab.	

Knickmatik®

Boom offset to provide lateral parallel adjustment at full digging depth.	
Angle of artic. / lateral adjustment left	60° / 15" (60° / 370 mm)
Angle of artic. / lateral adjustment right	60° / 20" (60° / 510 mm)

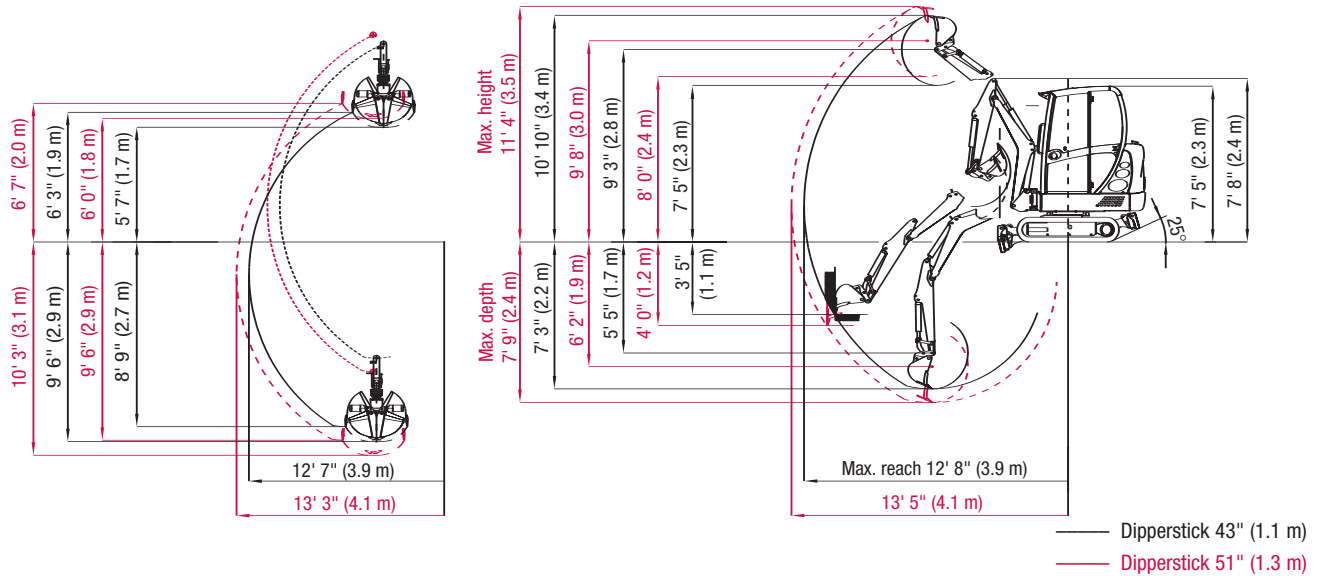
Cab (Optional)

Spacious, sound-insulated full-vision steel cab with two equally large doors. TOPS certified. Safety glass windows, thermo windows tinted in green. Skylight thermo window. Front window supported by pneumatic springs, lockable in place for ventilation and slideable under cab roof. Windshield washer system. Glove box. Instrument panel to the right of the operator's seat with visual and audible warning device. Left-hand outside rear-view mirror. Cab heating with windshield defroster through hot water heat exchange with 2-stage fan. Fabric-covered operator's seat with armrests, height, tilt and weight adjustments, lap belt.	
Working floodlight Halogen H-3.	
Noise emission ambience LWA/Noise emission cab LpA	95 / 78 dB (A)

Fluid Capacities

Fuel tank	7.9 gal (30 L)
Hydraulic system (tank 6.6 gal / 25 L)	9.2 gal (35 L)

Working Ranges & Dimensions



Lifting Capacities with 43" (1.1 m) Dipperstick

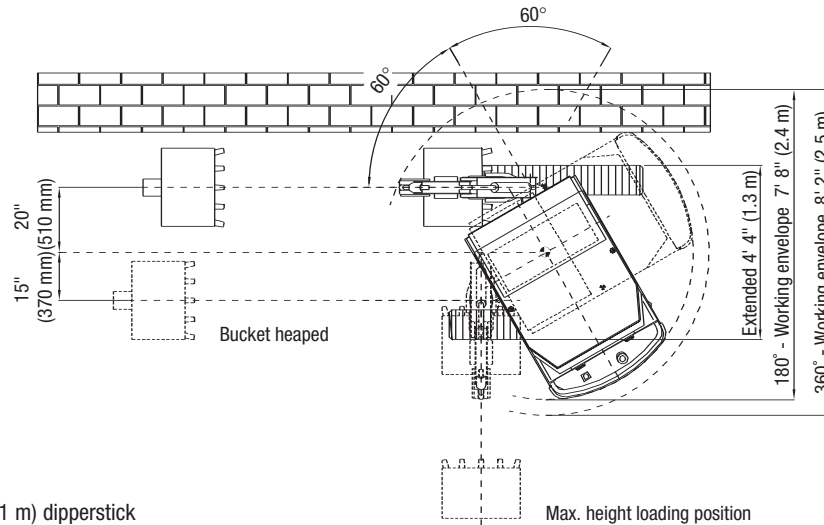
ENGLISH Measurements Unit: x 1,000 lbs		Load radius from the center of the ring gear												UE = Undercarriage extended UR = Undercarriage retracted			
		4' 11"				6' 7"				8' 2"				9' 10"			
Bucket hinge pin height		UE		UR		UE		UR		UE		UR		UE		UR	
		End	Side	End	Side	End	Side	End	Side	End	Side	End	Side	End	Side	End	Side
6' 7"	Supported by blade	—	—	—	—	1.84	1.54	1.84	1.21	1.77	1.25	1.77	0.95	—	—	—	—
	Traveling	—	—	—	—	1.25	1.51	1.25	1.05	1.12	1.21	1.12	0.79	—	—	—	—
3' 4"	Supported by blade	2.92	2.59	2.92	2.26	2.3	1.64	2.3	1.28	1.84	1.21	1.84	0.89	1.15	1.05	1.15	0.69
	Traveling	1.77	2.53	1.77	1.97	1.25	1.61	1.25	1.05	0.92	1.18	0.92	0.75	0.62	0.98	0.62	0.62
0'	Supported by blade	3.02	2.33	3.02	1.61	2.1	1.54	2.1	1.08	1.44	1.15	1.44	0.82	1.02	1.02	1.02	0.66
	Traveling	1.94	2.26	1.94	1.35	1.12	1.51	1.12	0.92	0.75	1.12	0.75	0.69	0.59	0.95	0.59	0.59
-2' 6"	Supported by blade	2.1	2	2.1	1.38	1.51	1.51	1.51	1.02	1.08	1.08	1.08	0.79	0.72	0.98	0.72	0.62
	Traveling	1.64	2	1.64	1.21	0.95	1.51	0.95	0.89	0.75	1.08	0.75	0.66	0.56	0.92	0.56	0.56

METRIC Measurements Unit: x Metric tons		Load radius from the center of the ring gear															
		1.5 m				2.0 m				2.5 m				3.0 m			
Bucket hinge pin height		UE		UR		UE		UR		UE		UR		UE		UR	
		End	Side	End	Side	End	Side	End	Side	End	Side	End	Side	End	Side	End	Side
2.0 m	Supported by blade	—	—	—	—	0.56	0.47	0.56	0.37	0.54	0.38	0.54	0.29	—	—	—	—
	Traveling	—	—	—	—	0.38	0.46	0.38	0.32	0.34	0.37	0.34	0.24	—	—	—	—
1 m	Supported by blade	0.89	0.79	0.89	0.69	0.7	0.5	0.7	0.39	0.56	0.37	0.56	0.27	0.35	0.32	0.35	0.21
	Traveling	0.54	0.77	0.54	0.6	0.38	0.49	0.38	0.32	0.28	0.36	0.28	0.23	0.19	0.3	0.19	0.19
0 m	Supported by blade	0.92	0.71	0.92	0.49	0.64	0.47	0.64	0.33	0.44	0.35	0.44	0.25	0.31	0.31	0.31	0.20
	Traveling	0.59	0.69	0.59	0.41	0.34	0.46	0.34	0.28	0.23	0.34	0.23	0.21	0.18	0.29	0.18	0.18
-0.75 m	Supported by blade	0.64	0.61	0.64	0.42	0.46	0.46	0.46	0.31	0.33	0.33	0.33	0.24	0.22	0.3	0.22	0.19
	Traveling	0.5	0.61	0.5	0.37	0.29	0.46	0.29	0.27	0.23	0.33	0.23	0.2	0.17	0.28	0.17	0.17

The above loads (all values in lbs x 1,000 resp. metric tons) are in compliance with SAE J 1097. They do not exceed 87% of hydraulic lifting capacity or 75% of tipping capacity. All values were determined with quick-attach system but without bucket. In case of mounted-on work attachments, the deadweights of the work attachments must be deducted from the permissible payloads. Work equipment: Rubber crawlers, undercarriage extended, 43" (1.10 m) stick.

Compact Crawler Excavator TC16

Working Envelope / Top View



Work equipment: 43" (1.1 m) dipperstick

Attachments / Accessories

Optional Accessories	
Mechanical quick-coupler system for work tools (QMH)	
Canopy (weight reduction 220 lbs / 100 kg)	
Luxury driver's seat, height-adjustable, extra-high back rest, progressively adjustable to driver's weight, seating has tilt and lengthwise adjustment. Upward folding, tilt-adjustable comfort armrests.	
Dipperstick	51" (1.3 m)
Cab-mounted working floodlight (front and rear)	
Boom-mounted working floodlight	
Yellow beacon	
Crane lifting beam	
Quick-change adapter for hydraulic hammer	
Filling with biodegradable hydraulic oil, ester-based, VI 68	
Immobilizer (anti-theft device)	

Bucket Options		
Pin-on Style / Quick Coupler	Capacity cu. ft.	(Liters)
10" (250 mm) H.D. Bucket	1.38	40
12" (300 mm) H.D. Bucket	2.03	58
16" (400 mm) H.D. Bucket	2.32	65
18" (450 mm) H.D. Bucket	2.65	75
20" (500 mm) H.D. Bucket	3.27	93
24" (600 mm) H.D. Bucket	4.24	120
36" (900 mm) Ditch-cleaning Bucket	5.18	147

Hydraulic Hammer
Sound-insulated. Tools: Moil point and chisel



Terex Construction Americas

8800 Rostin Road
Southaven, MS 38671
USA

TEL 662-393-1800
SALES 866-837-3923
PARTS & TECH SUPPORT 888-201-6008
FAX 662-393-1700
EMAIL sales@terexca.com
WEB terexca.com

For more information, product demonstration, or details on purchase, lease and rental plans, please contact your local Terex Distributor.

Effective date: August 15, 2006. For further information, please contact your local distributor or the Terex sales office listed. Product specifications are subject to change without notice or obligation. The photographs and drawings in this brochure are for illustrative purposes only. Refer to the appropriate Operator's Manual for instructions on the proper use of this equipment. Failure to follow the appropriate Operator's Manual when using our equipment or to otherwise act irresponsibly may result in serious injury or death. Prices and specifications subject to change without notice. The only warranty applicable is the standard written warranty applicable to the particular product and sale. Terex makes no other warranty, expressed or implied. Products and services listed may be trademarks, service marks or trade-names of Terex Corporation and/or its subsidiaries in the USA and other countries and all rights are reserved. "Terex" is a Registered Trademark of Terex Corporation in the USA and many other countries. Copyright ©2006 Terex Corporation