



**TRACTOR LOADER BACKHOES**



# TRACTOR LOADER BACKHOES



**CELEBRATING 50  
YEARS OF LOADER  
BACKHOE TRADITION**

# ONE POWER-PACKED MACHINE

Great return on investment - a result of versatility

Put Terex® loader backhoes on the job and begin to realize a return on your investment. Ideal for contractors with applications requiring the versatility of a wheel loader and the functionality of an excavator, our complete line of loader backhoes give you the best of both worlds in one powerful package.

## **Choose from four power-packed models.**

Opt for the TX760B when a standard workhorse will do. Want more hydraulic power for attachments? Go with the TX860B for a 42 gallon (159 L) per minute oil flow. For greater reach and a digging depth of over 15 feet (4.5 m), the TX870B is your answer. And when it's time to pull out all the stops, the TX970B with all-wheel steering delivers the power to maneuver some of the roughest terrains on earth.



- All frequent maintenance points are located together and can be easily accessed from a standing position alongside the machine.
- Terex® backhoes are unstoppable around the job site with nineteen inches (482 mm) of ground clearance.
- Excellent operator visibility because of an exceptionally narrow boom.
- Reduced fatigue with ergonomically designed controls and a lumbar-supporting suspension seat.
- Get the job done faster because tandem gear pumps and a closed center hydraulic system provide more controlled power.
- Improve productivity with this strong loader backhoe's excellent lift capacity and bucket breakout force.



**TX760B**



**TX860B**



**TX870B**



**TX970B**

Four models range from 15,151 lbs (6887 kg) to 17,663 lbs (8029 kg) and standard maximum dig depths of 14' 8" (4.5 m) to 15' 11" (4.9 m).

# PERFORMANCE

Measured in degrees and inches



Terex® loader backhoes increase productivity by increasing bucket rotation. Our bucket linkage design allows operators to drive into a pile and roll back 45 degrees. Our machines also dump at 57 degrees for greater fill capacity and better discharge — enough to boost your bottom line.

## **Wide stabilizer spread for maximum support and stability.**

That's just what you need for picking up heavy materials like concrete sewer tanks. All four models come standard with a front counter weight for greater fore and aft stability. Our stabilizer legs feature standard lock-out valves in the circuit so they remain down during operation, providing better stability when you're working 90 degrees of the side of the machine. Plus, we include a flip-over stabilizer foot with rubber pads on one side for street applications and two cleats on the other side for soil work. An innovation that's standard on the Terex® tractor loader backhoes.





## **Terex® loader backhoes have the ground clearance required on rough work sites.**

Terex positions its TRAC rod steering system on the back side of the axle, mounting it high enough to maintain significant ground clearance. This is especially important when you're working in rocky conditions and want to avoid potential damage to your undercarriage.

## **Smooth Transport**

Terex® loader backhoes are versatile and easy to transport thanks to legs that fold up inside the width of the tires and automatically lock up so they don't float down.

## **Excellent Visibility**

An exceptionally narrow boom gives the operator better visibility in the trench for digging operations.

## **Increased Efficiency**

The dual functionality of Terex® loader backhoes allows contractors to combine the power of a wheel loader and the versatility of an excavator into one dynamic machine, increasing productivity and cutting operation costs.

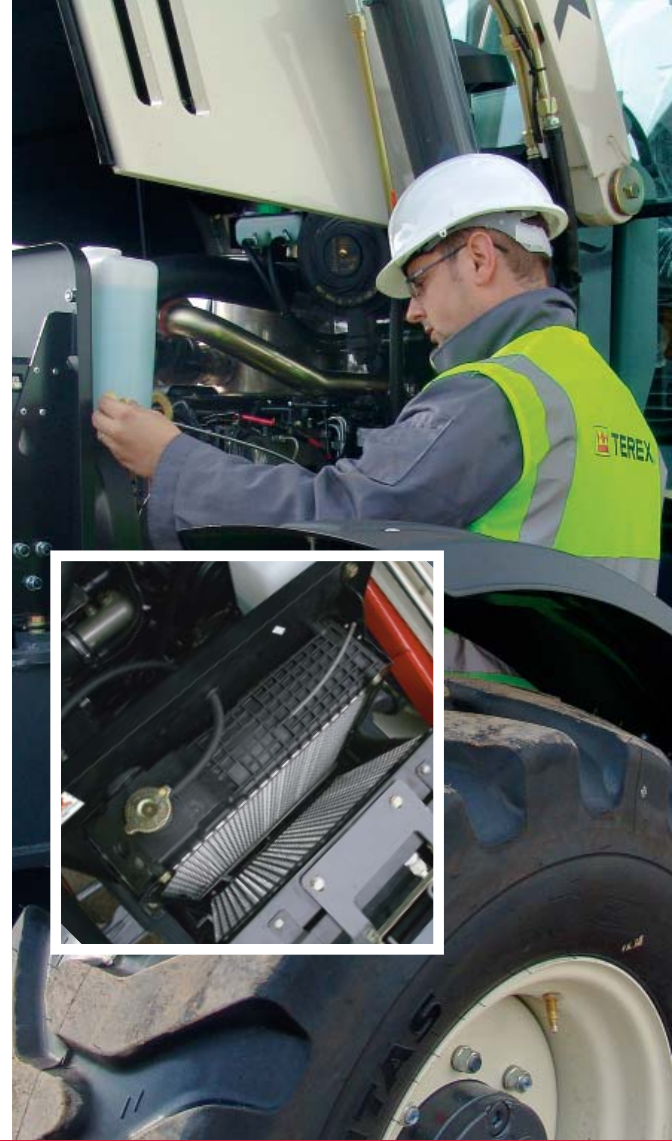
# DRIVING PRODUCTIVITY IN COMFORT

## Smooth Operator

The pattern change lever on pilot control equipped machines is located inside the cab, allowing operators to change from SAE to ISO with the flip of a lever.

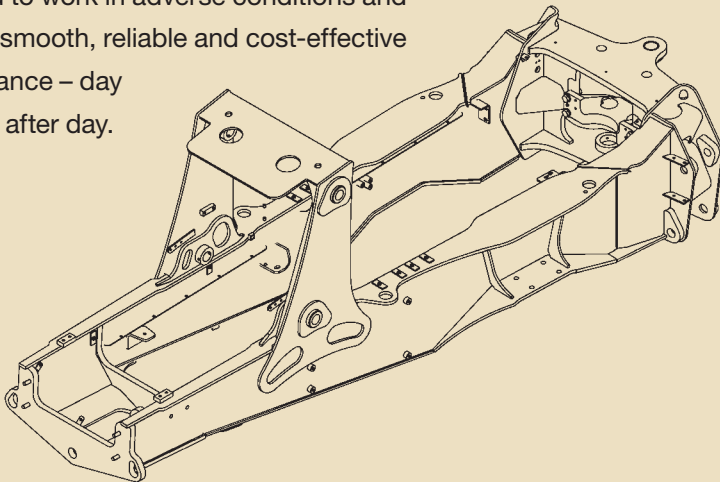


Climb inside our loader backhoes and you'll see why operators prefer our machines over the competition. Our cabs provide abundant head, shoulder and leg room. A lumbar-supported suspension seat comes standard. Ergonomically designed wobble sticks and adjustable armrests reduce fatigue. Low-effort controls are conveniently grouped and set to either side of the seat to improve access. Large front, back and side windows provide a clear view. The seat belt must be worn at all times.



## Built for life

From our low-emission engines to our advanced hydraulic system to our heavy-duty frames and undercarriages, Terex® loader backhoes are designed to work in adverse conditions and deliver a smooth, reliable and cost-effective performance – day after day after day.



## Easy to maintain

Terex® loader backhoes are designed to make maintenance quick and easy. A single bucket cylinder on the front end of the machines reduces wear and the number of pins and bushings that require maintenance. A rear tilting hood gives operators easy, ground-level access to the engine and transmission; forward-tilting hoods are much more restrictive and require you to close the hood before you can lift the loader arms. Plus, we locate all serviceable components on the left-hand side of the machine, making daily maintenance checks quick and easy.

## TRACTOR LOADER BACKHOES

### An Excavator and Wheel Loader in One

Four models ranging from 87 hp (64.88 kW) to 94 hp (70.3 kW) with operating weights from 15,151 lbs (6,887 kg) to 17,663 lbs (8,029 kg).

	TX760B		TX860B & TX860B Elite	
5 ft (1.52 m)				
10 ft (3.0 m)	Operating Weight	15,151 lbs (6,887 kg)	Operating Weight	15,694 lbs (7,241 kg)
15 ft (4.57 m)	Horsepower	87 hp (64.88 kW)	Horsepower	94 hp (70.3 kW)
20 ft (6.1 m)	Maximum Dig Depth	14' 8" (4.5 m)	Maximum Dig Depth	14' 8" (4.5 m)

	TX870B		TX970B	
5 ft (1.52 m)				
10 ft (3.0 m)	Operating Weight	16,986 lbs (7,721 kg)	Operating Weight	17,663 lbs (8,029 kg)
15 ft (4.57 m)	Horsepower	94 hp (70.3 kW)	Horsepower	94 hp (70.3 kW)
20 ft (6.1 m)	Maximum Dig Depth	15' 11" (4.9 m)	Maximum Dig Depth	15' 11" (4.9 m)

## TEREX CELEBRATES 50 YEARS OF TRACTOR LOADER BACKHOE TRADITION

See the **50th Anniversary Edition TX860B Elite** at your Terex® distributor soon. This special model features:

- Increased performance
- Improved hydraulics
- Deluxe enclosed cab
- Powershift transmission
- Extendable dipperstick
- New servo controls
- New paint scheme



Terex Corporation  
 840 Lily Lane, Grand Rapids, MN 55744  
 Tel +1 (800) 346-5954 Fax +1 (218) 327-2376  
 www.terex.com

Effective date: May 2009. Product specifications and prices are subject to change without notice or obligation. The photographs and/or drawings in this document are for illustrative purposes only. Refer to the appropriate Operator's Manual for instructions on the proper use of this equipment. Failure to follow the appropriate Operator's Manual when using our equipment or to otherwise act irresponsibly may result in serious injury or death. The only warranty applicable to our equipment is the standard written warranty applicable to the particular product and sale and Terex makes no other warranty, express or implied. Products and services listed may be trademarks, service marks or trade-names of Terex Corporation and/or its subsidiaries in the USA and other countries. All rights are reserved. Terex is a registered trademark of Terex Corporation in the USA and many other countries. Copyright © 2009 Terex Corporation.